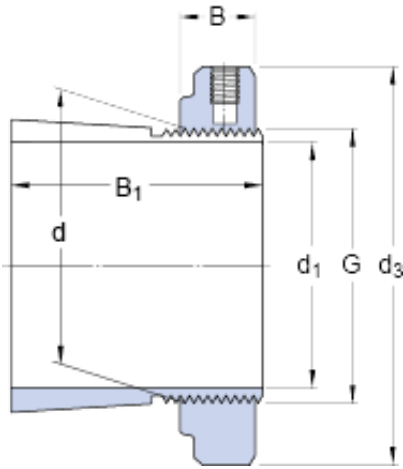




NTA BEARING PRECISION AXLE CORP.



skf H 308 E Adapter sleeves for metric shafts

Bearing No. H 308 E

d_1	35 mm
d	40 mm
d_3	58 mm
B_1	36 mm
B	13 mm
G	M 40x1.5
Mass adapter sleeve assembly	0.19 kg

H 308 E Bearing 2D drawings and 3D CAD models