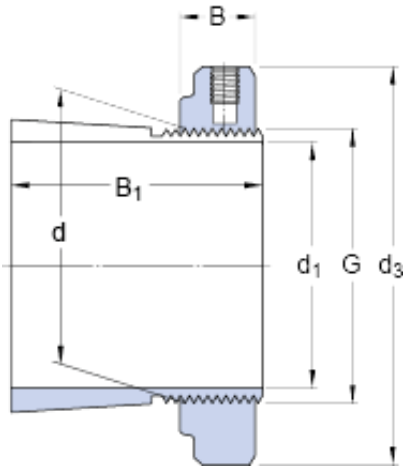




NTA BEARING PRECISION AXLE CORP.



skf H 3122 E Adapter sleeves for metric shafts

Bearing No. H 3122 E

d_1	100 mm
d	110 mm
d_3	145 mm
B_1	81 mm
B	21.5 mm
G	M 110x2
Mass adapter sleeve assembly	2.15 kg
Hydraulic nut	HMV 22 E

H 3122 E Bearing 2D drawings and 3D CAD models