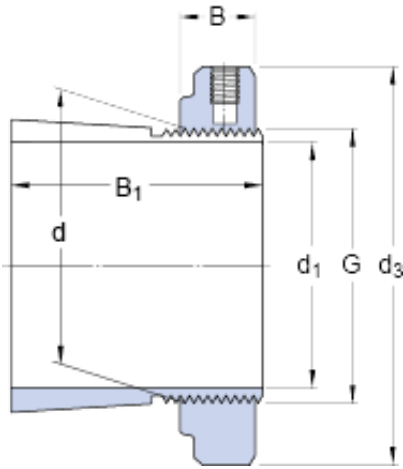




NTA BEARING PRECISION AXLE CORP.



skf H 3134 E Adapter sleeves for metric shafts

Bearing No. H 3134 E

d ₁	150 mm
d	170 mm
d ₃	220 mm
B ₁	122 mm
B	33 mm
G	M 170x3
Mass adapter sleeve assembly	8.1 kg
Hydraulic nut	HMV 34 E

H 3134 E Bearing 2D drawings and 3D CAD models