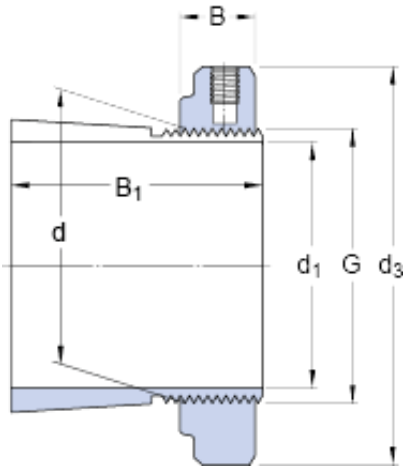




NTA BEARING PRECISION AXLE CORP.



skf H 316 E Adapter sleeves for metric shafts

Bearing No. H 316 E

d ₁	70 mm
d	80 mm
d ₃	105 mm
B ₁	59 mm
B	18 mm
G	M 80x2
Mass adapter sleeve assembly	1 kg
Lock nut	KMFE 16
Hydraulic nut	HMV 16 E

H 316 E Bearing 2D drawings and 3D CAD models