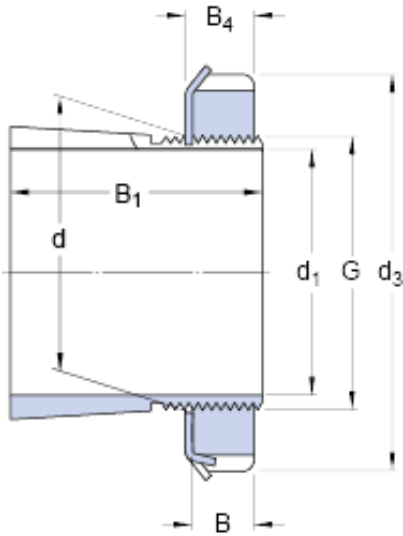




# NTA BEARING PRECISION AXLE CORP.



## skf SNW 110x1.11/16 Adapter sleeves, inch dimensions

Bearing No. SNW 110x1.11/16

$d_1$	42.862 mm
$d$	50 mm
$d_3$ max.	68.402 mm
$B_1$	60.554 mm
$B$	12.954 mm
$B_4$	14.173 mm
$G$	49.962 mm
Threads per inch	18
Mass adapter sleeve assembly	0.39 kg
Sleeve	S 110x1.11/16
Hydraulic nut	HMVC 10E

SNW 110x1.11/16 Bearing 2D drawings and 3D CAD models