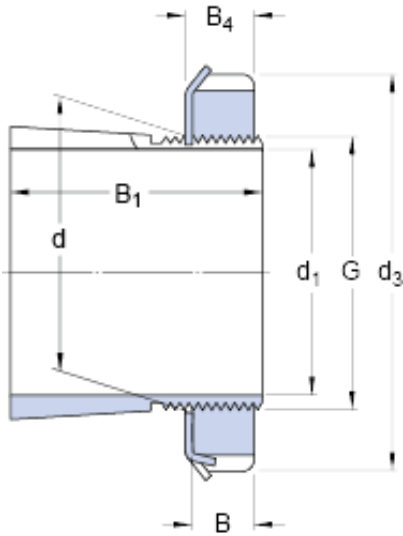




NTA BEARING PRECISION AXLE CORP.



skf SNW 3134x5.15/16 Adapter sleeves, inch dimensions

Bearing No. SNW 3134x5.15/16

d_1	150.813 mm
d	170 mm
d_3 max.	200.152 mm
B_1	122.86 mm
B	27.254 mm
B_4	30.175 mm
G	169.139 mm
Threads per inch	8
Mass adapter sleeve assembly	7.3 kg
Sleeve	S 34x5.15/16
Hydraulic nut	HMVC 34E

SNW 3134x5.15/16 Bearing 2D drawings and 3D CAD models