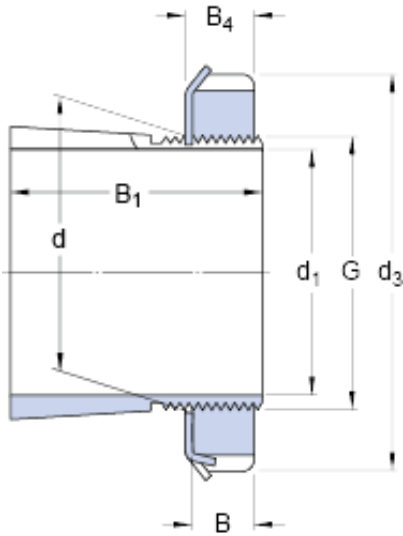




NTA BEARING PRECISION AXLE CORP.



skf SNW 44x7.13/16 Adapter sleeves, inch dimensions

Bearing No. SNW 44x7.13/16

d ₁	198.438 mm
d	220 mm
d ₃ max.	279.527 mm
B ₁	149.631 mm
B	32.004 mm
B ₄	35.712 mm
G	219.151 mm
Threads per inch	8
Mass adapter sleeve assembly	14.5 kg
Sleeve	S 44x7.13/16
Lock nut	N 44
Lock washer	W 44
Hydraulic nut	HMVC 44E

SNW 44x7.13/16 Bearing 2D drawings and 3D CAD models