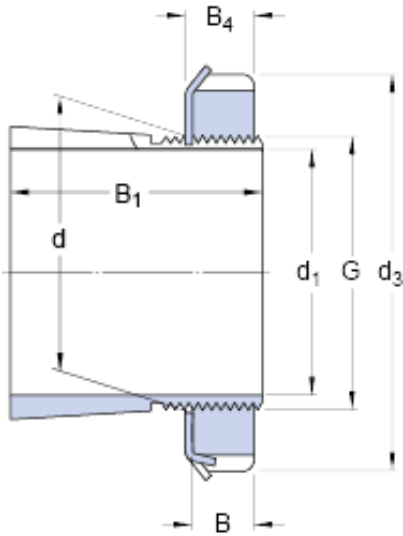




# NTA BEARING PRECISION AXLE CORP.



## skf SNW 3040x7.7/16 Adapter sleeves, inch dimensions

Bearing No. SNW 3040x7.7/16

$d_1$	188.912 mm
$d$	200 mm
$d_3$ max.	239.852 mm
$B_1$	120.396 mm
$B$	30.429 mm
$B_4$	33.35 mm
$G$	199.314 mm
Threads per inch	8
Mass adapter sleeve assembly	8.85 kg
Sleeve	S 3040x7-7/16
Hydraulic nut	HMVC 40E

SNW 3040x7.7/16 Bearing 2D drawings and 3D CAD models