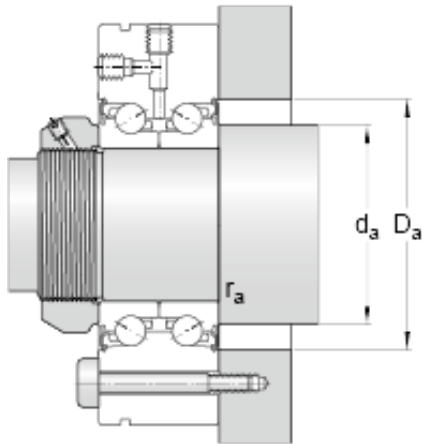




NTA BEARING PRECISION AXLE CORP.



skf BEAM 030080 C-2RSL Angular contact thrust ball bearings for screw drives, double direction, super-precision

Bearing No. BEAM 030080 C-2RSL

BEAM 030080 C-2RSL Bearing 2D drawings and 3D CAD models

d	30 mm
D	80 mm
H	28 mm
d ₂	42.3 mm
D ₂	53.2 mm
H ₁	19 mm
r _{1,2} min.	0.3 mm
r _{3,4} min.	0.6 mm
a	90 mm
J	63 mm
N	6.8 mm
d _a min.	40 mm
D _a max.	53 mm
r _a max.	0.3 mm
Basic dynamic load rating C	31 kN
Basic static load rating C ₀	69.5 kN
Fatigue load limit P _u	2.6 kN
Attainable speed	4900 r/min
Preload	2250 N
Frictional moment	0.25 N · m
Static axial stiffnes	900 N/ μ m
Static moment stiffness	290 N · m/mrad
Mass bearing	0.75 kg
Required attachment bolt size (DIN 912)	M6



NTA BEARING PRECISION AXLE CORP.

Number of attachment bolts	11
Angle between holes in outer ring (Pitch)	30 °