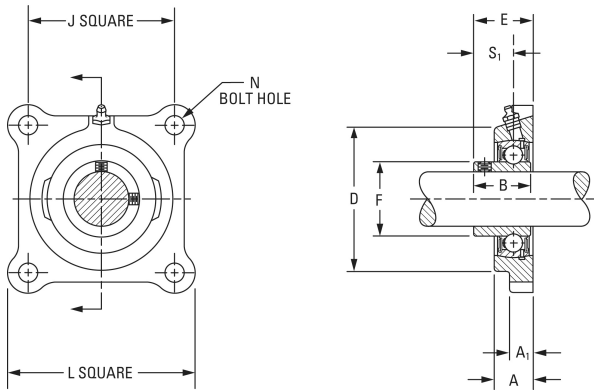




# NTA BEARING PRECISION AXLE CORP.

## SCJ Standard Series

timken SCJ3/4 Ball Bearing Housed Units-  
Fafnir® Four-Bolt Flanged Units Setscrew  
Locking



Bearing No. SCJ3/4

Shaft Size d	3/4 in
Dimension D	2.374 in
Dimension E	1.126 in
Inside Ring Outside Diameter	1.142 in
Series	Standard
Weight	1.15 lb
Seal Type	Molded Shroud
Housing Style	Four-Bolt Square Flange
Total Length L	85.7 mm
Housing Width A	0.748 in
Bolt Hole Size N	10 mm
Flange Thickness A1	11.1 mm
Center of Bearing from Housing End A2	10.3 mm
Inside Ring Width B	=Bearings1_Inside Ring Width= mm
Total Height	85.7 mm
Bolt Size	M10
Center of Bearing from Bearing End S	8.7 mm
Static Load Rating	1460 lbf
Dynamic Load Rating	3190 lbf

SCJ3/4 Bearing 2D drawings and 3D CAD models