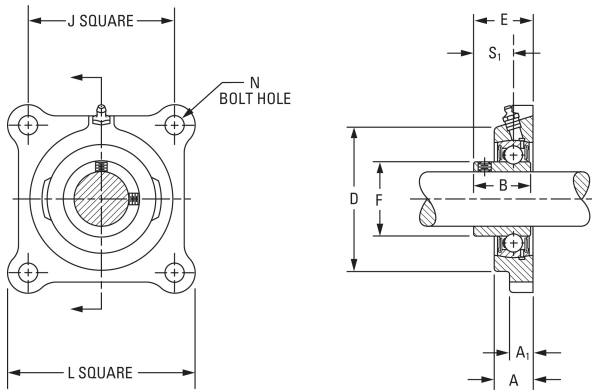




NTA BEARING PRECISION AXLE CORP.

SCJ Standard Series

timken SCJ 17 Ball Bearing Housed Units-
Fafnir® Four-Bolt Flanged Units Setscrew
Locking



Bearing No. SCJ 17

Shaft Size d	0.669 in
Dimension D	2.063 in
Dimension E	1.000 in
Inside Ring Outside Diameter	0.969 in
Series	Standard
Weight	1.04 lb
Seal Type	Molded Shroud
Housing Style	Four-Bolt Square Flange
Total Length L	76.20 mm
Housing Width A	0.705 in
Bolt Hole Size N	10 mm
Flange Thickness A1	11.1 mm
Center of Bearing from Housing End A2	9.5 mm
Inside Ring Width B	=Bearings1_Inside Ring Width= mm
Total Height	76.2 mm
Bolt Size	M10
Center of Bearing from Bearing End S	7.9 mm
Static Load Rating	1070 lbf
Dynamic Load Rating	2380 lbf

SCJ 17 Bearing 2D drawings and 3D CAD models