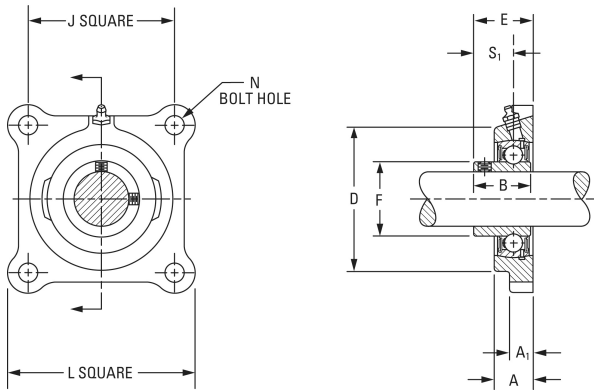




NTA BEARING PRECISION AXLE CORP.

SCJ Standard Series

timken SCJ1 1/4 S Ball Bearing Housed Units-
Fafnir® Four-Bolt Flanged Units Setscrew
Locking



Bearing No. SCJ1 1/4 S

Shaft Size d	1 1/4 S in
Dimension D	3.000 in
Dimension E	1.343 in
Inside Ring Outside Diameter	1.579 in
Series	Standard
Weight	2.62 lb
Seal Type	Molded Shroud
Housing Style	Four-Bolt Square Flange
Total Length L	107.9 mm
Housing Width A	0.843 in
Bolt Hole Size N	10 mm
Flange Thickness A1	14.3 mm
Center of Bearing from Housing End A2	11.1 mm
Inside Ring Width B	=Bearings1_Inside Ring Width= mm
Total Height	107.9 mm
Bolt Size	M10
Center of Bearing from Bearing End S	9.5 mm
Static Load Rating	2530 lbf
Dynamic Load Rating	4850 lbf

SCJ1 1/4 S Bearing 2D drawings and 3D CAD models