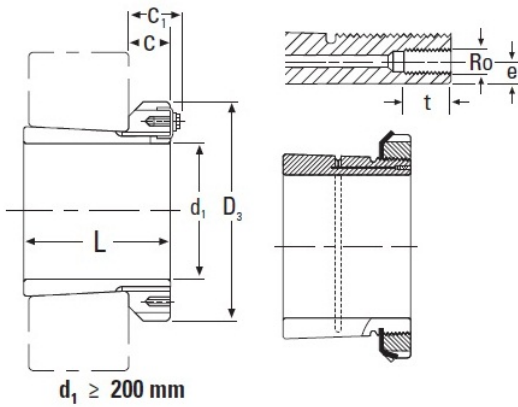




# NTA BEARING PRECISION AXLE CORP.



## timken OH3980H Metric OH Hydraulic Adapter Sleeve

Bearing No. OH3980H

d1	380.00 mm
L <sup>1</sup>	168.00 mm
C	52 mm
G	Tr400x5
D <sub>3</sub>	470 mm
Weight	35 Kg
C <sub>1</sub>	66.00 mm
Ro	M6
e	4 mm
t	9 mm
Locknut	HM3080
Lockwasher and Lockplates	MS3080
Appropriate Hydraulic Nut	HMV80

OH3980H Bearing 2D drawings and 3D CAD models