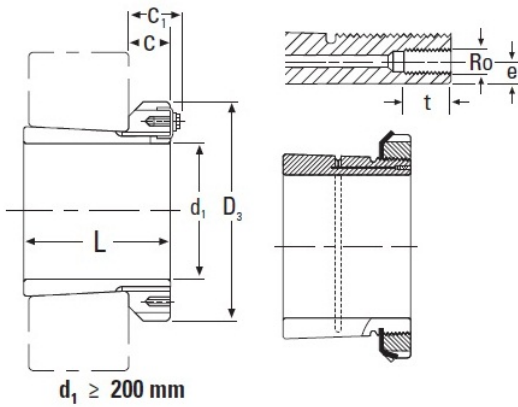




# NTA BEARING PRECISION AXLE CORP.



## timken OH3296H Metric OH Hydraulic Adapter Sleeve

Bearing No. OH3296H

d1	450.00 mm
L <sup>1</sup>	397.00 mm
C	75 mm
G	Tr480x5
D <sub>3</sub>	620 mm
Weight	153 Kg
C <sub>1</sub>	95.00 mm
Ro	M8
e	6.5 mm
t	12 mm
Locknut	HM3196
Lockwasher and Lockplates	MS3196
Appropriate Hydraulic Nut	HMV96

OH3296H Bearing 2D drawings and 3D CAD models