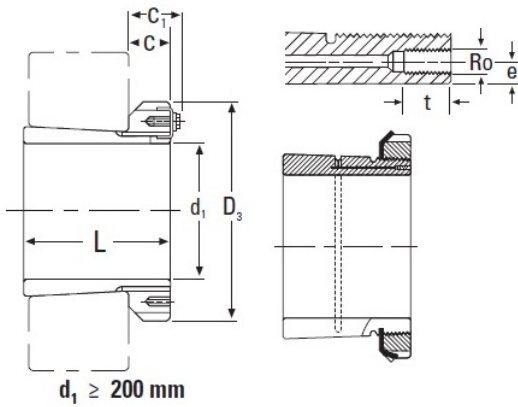




# NTA BEARING PRECISION AXLE CORP.



## timken OH31/900H Metric OH Hydraulic Adapter Sleeve

Bearing No. OH31/900H

d1	850.00 mm
L <sup>1</sup>	557.00 mm
C	125 mm
G	Tr900x7
D <sub>3</sub>	1120 mm
Weight	677.00 Kg
C <sub>1</sub>	154.00 mm
Ro	G1/8
e	10 mm
t	12 mm
Locknut	HM31/900
Lockwasher and Lockplates	MS31/900
Appropriate Hydraulic Nut	HMV180

OH31/900H Bearing 2D drawings and 3D CAD models