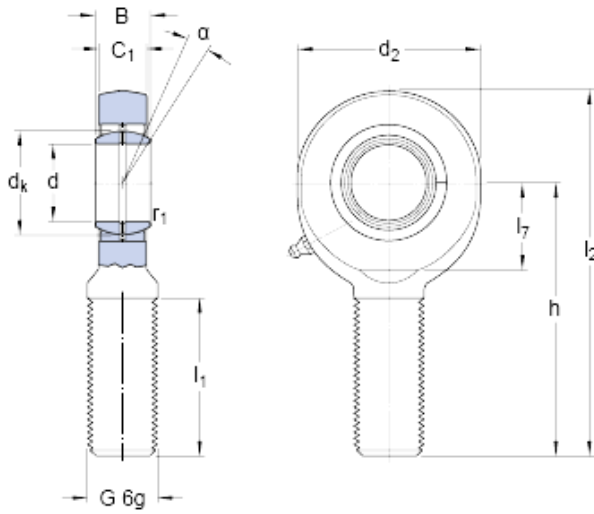




NTA BEARING PRECISION AXLE CORP.



skf SA 70 ES Spherical plain bearings and rod ends with a male thread

Bearing No. SA 70 ES

d	70 mm
d ₂ max.	162 mm
B	49 mm
G	M 72x4
C ₁ max.	43 mm
h	265 mm
	6 °
d _k	92 mm
l ₁ min.	132 mm
l ₂ max.	349 mm
l ₇ min.	85 mm
r ₁ min.	1 mm
Basic dynamic load rating C	315 kN
Basic static load rating C ₀	490 kN
Specific dynamic load factor K	100 N/mm ²
Material constant K _M	330
Mass rod end	10 kg

SA 70 ES Bearing 2D drawings and 3D CAD models