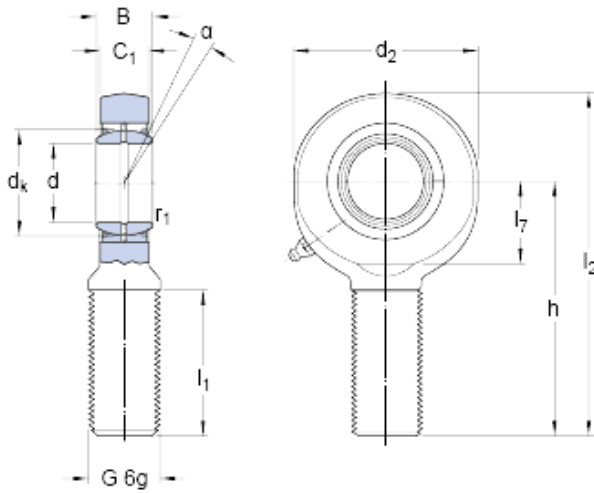




# NTA BEARING PRECISION AXLE CORP.



skf SA 25 ES-2RS Spherical plain bearings and rod ends with a male thread

Bearing No. SA 25 ES-2RS

d	25 mm
d <sub>2</sub> max.	65 mm
B	20 mm
G	M 24x2
C <sub>1</sub> max.	18 mm
h	94 mm
	7 °
d <sub>k</sub>	35.5 mm
l <sub>1</sub> min.	53 mm
l <sub>2</sub> max.	128 mm
l <sub>7</sub> min.	30 mm
r <sub>1</sub> min.	0.6 mm
Basic dynamic load rating C	48 kN
Basic static load rating C <sub>0</sub>	78 kN
Specific dynamic load factor K	100 N/mm <sup>2</sup>
Material constant K <sub>M</sub>	330
Mass rod end	0.53 kg

SA 25 ES-2RS Bearing 2D drawings and 3D CAD models